

# Lightning

## LTNG

Lightweight and easy to use, the Lightning is a good all around tension back banner stand. Snap lock graphic rails make changing the graphic fast and simple. The lightning comes complete with a budget carry bag.



## features and benefits:

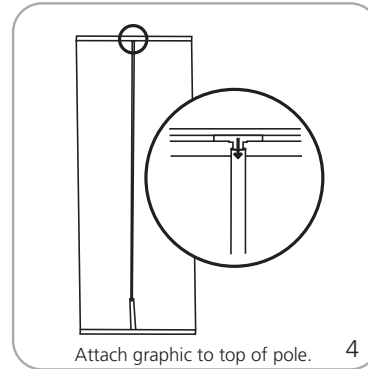
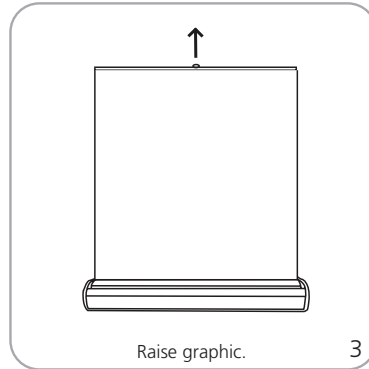
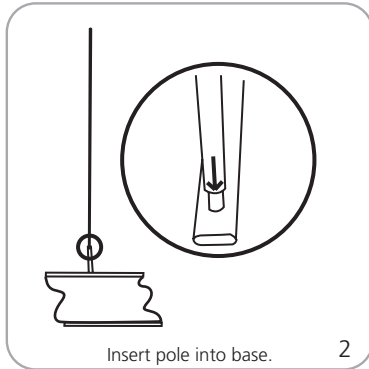
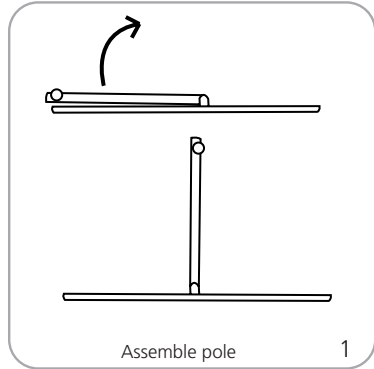
- Quick to assemble and easy to use
- Lightweight aluminium components
- Comes in anodized silver
- Three piece bungee pole
- Includes carry bag
- Snap frame rails enable easy graphic changes
- One year warranty against all manufacturers defects

## dimensions:

Hardware	Graphic
<p><b>Base dimensions:</b> 31.625" w x 2.5" h x 20.25" d 804mm(w) x 514mm(h) x 63.5mm(d)</p> <p><b>Assembled unit dimensions:</b> 31" w x 77" h x 20.25" d 787mm(w) x 1956mm(h) x 63.5mm(d)</p> <p><b>Pole Height:</b> 80.5" (2045mm)</p> <p><b>Weight:</b> (including carry bag) 4.4 lbs / 1.99 kgs</p> <p><b>Bag Dimensions:</b> 36.5" l x 9" w x 4" h 927mm(l) x 229mm(w) x 102mm(h)</p>	<p><b>Total visible area:</b> 31" w x 77" h 788mm(w) x 1956mm(h) approx.</p> <p>Add 1/2" bleed to top and 1/2" (12.7mm) bleed to base of graphic</p> <p>Refer to related graphic template for more information.</p>
Shipping	additional information:
<p><b>Shipping dimensions: (ships in one box)</b> 39" l x 10" w x 6" h 991mm(l) x 254mm(w) x 152mm(h)</p> <p><b>Shipping weight:</b> 14 lbs / 6.4 kg</p>	<p><b>Graphic materials:</b> 14 oz. anti-curl vinyl, 8 oz. oxford, 11 mil melinex</p>

We are continually improving and modifying our product range and reserve the right to vary the specifications without prior notice. All dimensions and weights quoted are approximate and we accept no responsibility for variance. E&OE. See Graphic Templates for graphic bleed specifications.

## Banner Stand Assembly



## Graphic Attachment

